

SPECIFICATIONS

LIGHT DISTRIBUTION FT

**HOUSING**  
Cast aluminum end plate with perforated metal shroud.

**LENS**  
3/16" thick clear tempered glass.

**REFLECTOR SYSTEM**  
Specular aluminum, forward throw light distribution.

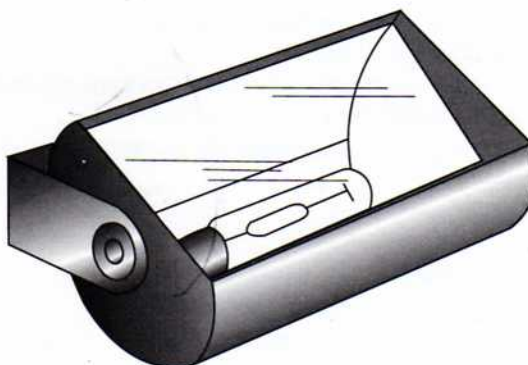
**BALLAST ASSEMBLY**  
Remote mounted.

**WATTAGE**  
250 W. maximum.

**LAMP SOCKET**  
Spring loaded center contact.  
Pulse rated for hps lamps.

**MOUNTING**  
Adjustable yoke.

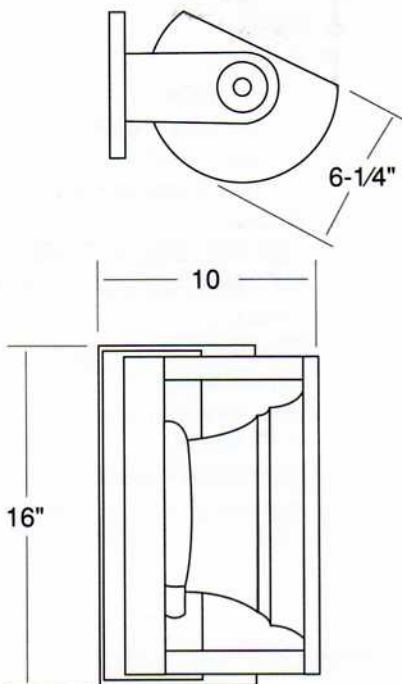
**FINISH**  
Polyester powder fuse coating is standard, other finishes available, contact factory.



UL LISTED

DIMENSIONAL DATA

ORDERING INFORMATION



- 1 Series
- 2 Wattage
- 3 Lamps Type  
V - Mercury Vapor  
H - Metal Halide  
S - High Pressure Sodium
- 4 Voltage  
120, 208, 240, 277, 480  
MT - Multi-tap (120, 208, 240, 277)
- 5 Finish  
BZ - Bronze  
BK - Black  
GN - Green  
WT - White  
VG - Verde Green  
(for any other color consult factory)

EXAMPLE    SERIES    WATTAGE    LAMP TYPE    VOLTAGE    FINISH  
WJ - 250 - M - 120 - BK