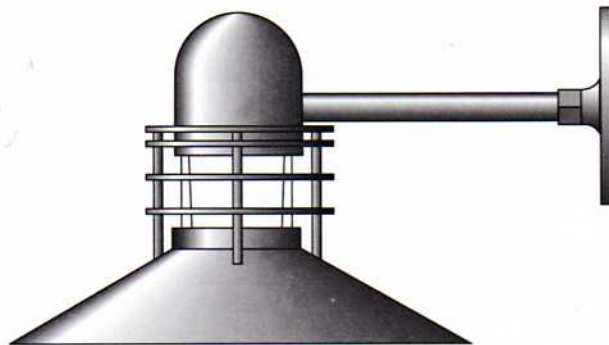


SPECIFICATIONS

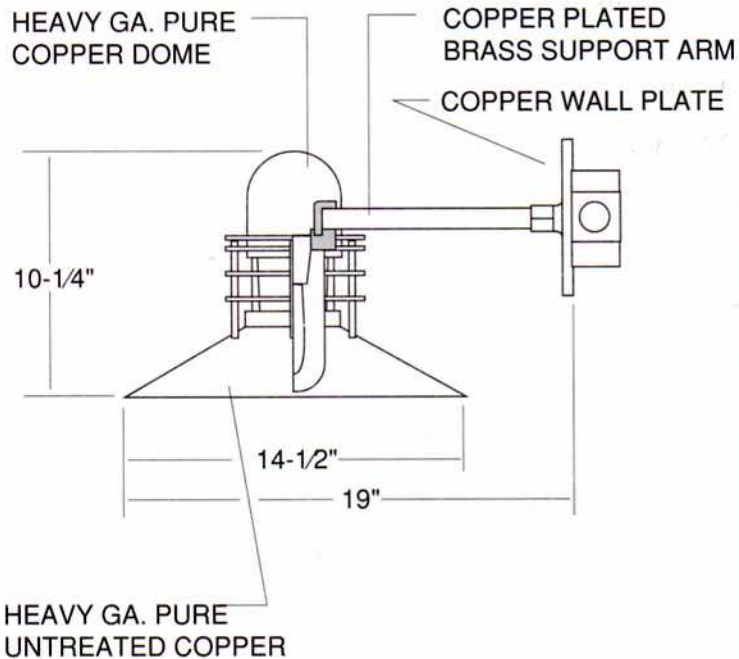
- HOUSING** _____
Heavy gauge untreated copper.
- DIFFUSER** _____
Clear glass with bottom half frosted.
- REFLECTOR SYSTEM** _____
Heavy gauge untreated copper with white baked enamel finish inside.
- BALLAST ASSEMBLY** _____
N.P.F 118V.
- LAMP** _____
(1) PL - 13W
- LAMPHOLDER** _____
G24 d-1
- ARM** _____
Copper plated solid brass.
- WALL PLATE** _____
6.2" diameter heavy gauge copper plated.



UL LISTED FOR WET LOCATION

DIMENSIONAL DATA

ORDERING INFORMATION



- 1 Series
- 3 Wattage
- 4 Lamps Type
PL -13W
- 5 Voltage
120

EXAMPLE SERIES WATTAGE LAMP TYPE VOLTAGE
WG - 13 - PL - 120