

SPECIFICATIONS

HOUSING

Heavy wall one piece cast aluminum body with heavy gauge spun aluminum top.

LENS

Injection molded clear prismatic polycarbonate refractor. Available on type II and V light distribution.

BALLAST ASSEMBLY

Ballast is high power factor mounted on aluminum tray. The assembly is removable as unit for easy maintenance.

LAMP SOCKET

Spring loaded center contact
Pulse rated for hps lamps

FINISH

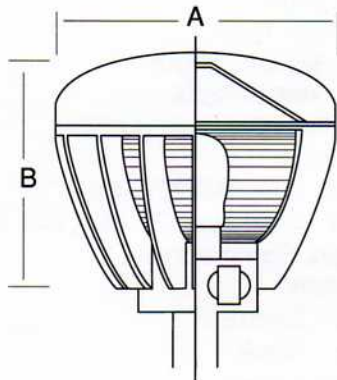
Polyester powder fuse coating is standard, other finishes available, contact factory.

LIGHT DISTRIBUTION III, V



UL LISTED FOR WET LOCATION

DIMENSIONAL DATA



WATTAGE	A	B	EPA
35 THRU 150	13-1/2"	14"	1.2

ORDERING INFORMATION

- 1 Series
- 2 Mounting Style
- 3 Wattage
- 4 Lamps Type
V - Mercury Vapor
H - Metal Halide
S- High Pressure Sodium
- 5 Voltage
120, 208, 240, 277, 480
MT - Multi-tap (120, 208, 240, 277)
- 6 Light Distribution: II, V
- 7 Finish
BZ - Bronze
BK - Black
GN - Green
WT - White
(for any other color consult factory)
- 8 Options:
PC - Photo Cell Only
FS - Fuse
HS - House Shield

EXAMPLE SERIES MOUNTING WATTAGE LAMP TYPE VOLTAGE DISTRIBUTION FINISH OPTION
SV - PT - 70 - S - 120 - V - WT - PC