

SPECIFICATIONS

**HOUSING**

Heavy wall one piece cast aluminum body with heavy gauge spun aluminum top.

**LENS**

Injection molded clear prismatic polycarbonate refractor. Available on type II and V light distribution.

**BALLAST ASSEMBLY**

Ballast is high power factor mounted on aluminum tray. The assembly is removable as unit for easy maintenance.

**LAMP SOCKET**

Spring loaded center contact  
Pulse rated for hps lamps

**FINISH**

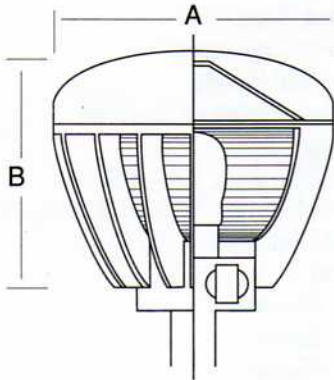
Polyester powder fuse coating is standard, other finishes available, contact factory.

LIGHT DISTRIBUTION II, V



UL LISTED FOR WET LOCATION

DIMENSIONAL DATA



WATTAGE	A	B	EPA
150 THRU 400	20½"	18"	2.1

ORDERING INFORMATION

- 1 Series
- 2 Mounting Style
- 3 Wattage
- 4 Lamps Type  
V - Mercury Vapor  
H - Metal Halide  
S- High Pressure Sodium
- 5 Voltage  
120, 208, 240, 277, 480  
MT - Multi-tap (120, 208, 240, 277)
- 6 Light Distribution: II, V
- 7 Finish  
BZ - Bronze  
BK - Black  
GN - Green  
WT - White  
(for any other color consult factory)
- 8 Options:  
PC - Photo Cell Only  
FS - Fuse  
HS - House Shield

EXAMPLE    SERIES    MOUNTING    WATTAGE    LAMP TYPE    VOLTAGE    DISTRIBUTION    FINISH    OPTION  
 LV - PT - 400 - S - MT - V - BK - PC