

CONSTRUCTION

Square straight aluminum poles are fabricated from 6063 extruded tubing, heat treated to produce a T6 temper. The anchor base shall be cast from a 356 alloy aluminum, heat treated to a T6 condition. The base telescopes the pole shaft and is circumferentially welded top and bottom. Anchor bolts are fabricated from hot rolled steel bar with a minimum yield strength of 50,000 psi. Anchor bolts are hot dip galvanized in accordance to ASTM-A-153.

OPTIONS

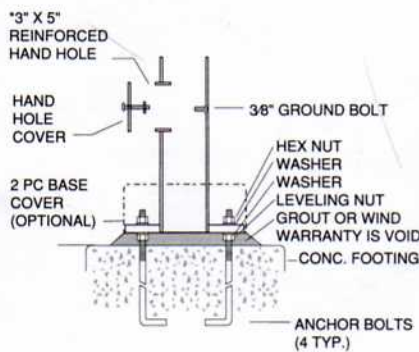
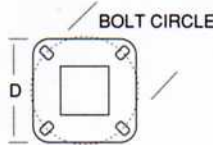
- AT – 2-3/8" O.D. x 5" long tenon
- BT – 2-7/8" O.D. x 5" long tenon
- CT – 3" O.D. x 5" long tenon
- BC – Two piece square base cover
- DR – Duplex receptacle
- PR – Provisions for receptacle

FINISH

- BZ – Bronze Paint
- BZA – Bronze Anodized
- BK – Black Paint
- BKA – Black Anodized
- GN – Green Paint
- WT – White Paint
- CLA – Clear Anodized

Square Straight Aluminum

CATALOG NUMBER	WALL	SHAFT SIZE	HT.	BASE PLATE			BOLT CIRCLE	ANCHOR BOLTS	EPA 100 MPH	SHIP WT.
	A	B	H	D	E					
SSA-11-308	.120"	3"SQ	8'	8"	1/2"	8"	3/4x16x3	9.0	20#	
SSA-11-310	.120"	3"SQ	10'	8"	1/2"	8"	3/4x16x3	6.9	22#	
SSA-11-410	.125"	4"SQ	10'	9 1/2"	1/2"	9 1/2"	3/4x16x3	8.5	31#	
SSA-11-412	.125"	4"SQ	12'	9 1/2"	1/2"	9 1/2"	3/4x16x3	6.0	36#	
SSA-11-414	.125"	4"SQ	14'	9 1/2"	1/2"	9 1/2"	3/4x16x3	3.2	41#	
SSA-11-415	.125"	4"SQ	15'	9 1/2"	1/2"	9 1/2"	3/4x16x3	2.6	44#	
SSA-11-416	.125"	4"SQ	16'	9 1/2"	1/2"	9 1/2"	3/4x16x3	1.9	46#	
SSA-11-418	.125"	4"SQ	18'	9 1/2"	3/4"	9 1/2"	3/4x24x3	1.1	51#	
SSA-11-420	.125"	4"SQ	20'	9 1/2"	3/4"	9 1/2"	3/4x24x3		56#	
SSA-11-520	.125"	5"SQ	20'	10 1/2"	1"	11"	3/4x24x3	2.4	100#	
SSA-11-522	.125"	5"SQ	22'	10 1/2"	1"	11"	3/4x24x3	3.1	109#	
SSA-11-524	.125"	5"SQ	24'	10 1/2"	1"	11"	3/4x24x3	3.8	118#	
SSA-7-525	.188"	5"SQ	25'	10 1/2"	1"	11"	1x36x4	4.6	122#	
SSA-7-520	.188"	5"SQ	26'	10 1/2"	1"	11"	1x36x4	4.3	127#	
SSA-7-625	.188"	6"SQ	25'	11"	1"	11 1/2"	3/4x24x3	5.8	143#	
SSA-7-626	.188"	6"SQ	26'	11"	1"	11 1/2"	1x36x4	5.4	148#	
SSA-7-628	.188"	6"SQ	28'	11"	1"	11 1/2"	1x36x4	4.6	168#	
SSA-7-630	.188"	6"SQ	30'	11"	1"	11 1/2"	1x36x4	3.8	178#	



*Hand hole on 3" and poles below 16' may not be reinforced.

ORDERING EXAMPLE

SSA-11 - 416 - AT-BC-BZA

CATALOG NO.

OPTIONS

FINISH