

SPECIFICATIONS

HOUSING _____

Heavy wall cast aluminum frame and top.

LENS _____

Clear polycarbonate.

REFLECTOR _____

Specular aluminum, type III & V light distribution.

BALLAST ASSEMBLY _____

Ballast is high power factor mounted on aluminum tray.
The assembly is removable as unit for easy maintenance.

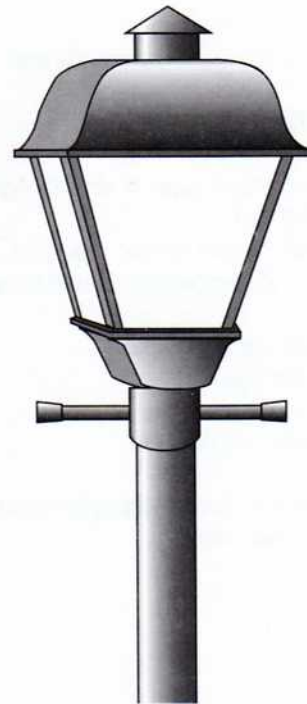
LAMP SOCKET _____

Spring loaded center contact.
Pulse rated for hps lamps.

FINISH _____

Polyester powder fuse coating is standard, other finishes available, contact factory.

LIGHT DISTRIBUTION III & V

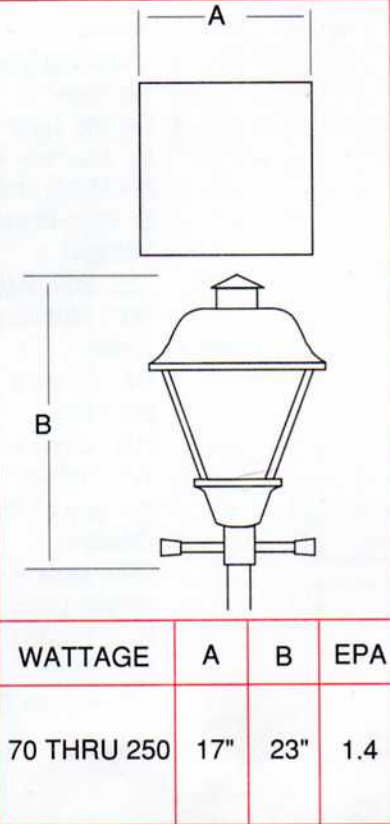
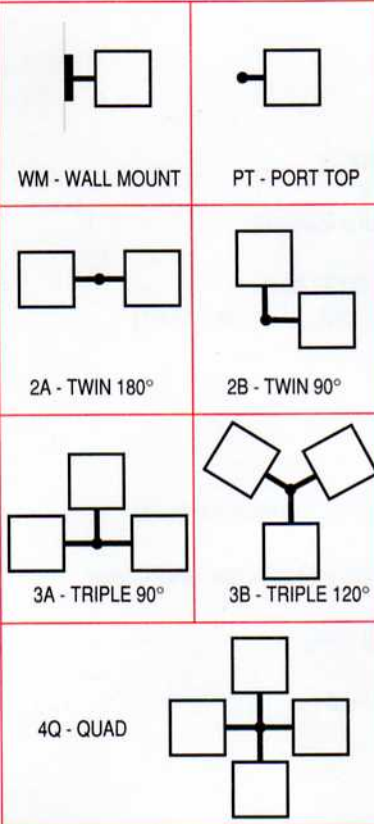


UL LISTED FOR WET LOCATION

MOUNTING STYLES

DIMENSIONAL DATA

ORDERING INFORMATION



- 1 Series
- 2 Mounting Style
- 3 Wattage
- 4 Lamps Type
V - Mercury Vapor
H - Metal Halide
S- High Pressure Sodium
- 5 Voltage
120, 208, 240, 277, 480
MT - Multi-tap (120, 208, 240, 277)
- 6 Light Distribution: III & V
- 7 Finish
GN - Green
BK - Black
BZ - Bronze
(for any other color consult factory)
- 8 Options:
PL - Prismatic Lens
PC - Photo Cell Only
FS - Fuse
LR - Litter Rest
PS - Polycarbonate Shield

EXAMPLE SERIES MOUNTING WATTAGE LAMP TYPE VOLTAGE DISTRIBUTION FINISH OPTION

YL - PT - 250 - V - 120 - V - BK - LR