

SPECIFICATIONS

LIGHT DISTRIBUTION V

HOUSING

Heavy wall cast aluminum frame and top.

LENS

Impact resistant white acrylic.

REFLECTOR

Specular aluminum, type III and IV light distribution.

BALLAST ASSEMBLY

Ballast is high power factor mounted on aluminum tray.
The assembly is removable as unit for easy maintenance.

LAMP SOCKET

Spring loaded center contact.
Pulse rated for hps lamps.

ARM

2" X4" extruded aluminum.

FINISH

Polyester powder fuse coating is standard, other finishes available, contact factory.

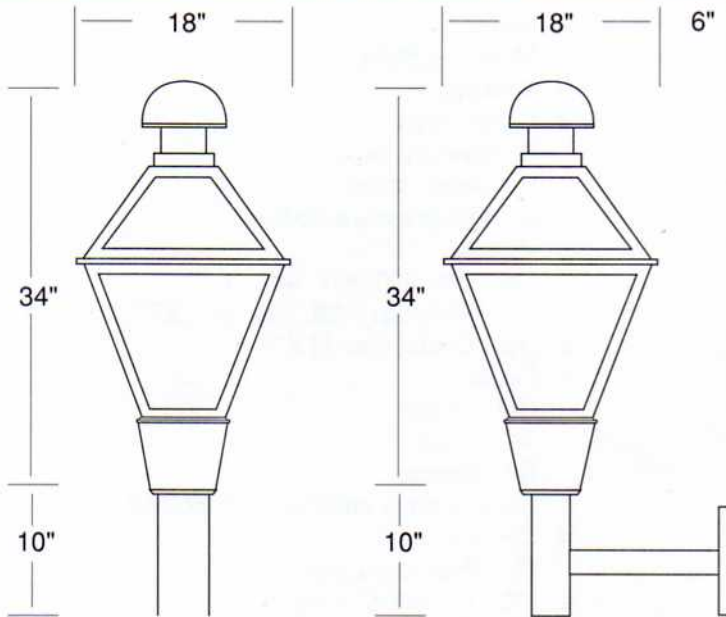


UL LISTED FOR WET LOCATION

MOUNTING STYLES

DIMENSIONAL DATA

ORDERING INFORMATION



PT - POST TOP

WM - WALL MOUNT

- 1 Series
- 2 Mounting Style
- 3 Wattage
- 4 Lamps Type
V - Mercury Vapor
H - Metal Halide
S - High Pressure Sodium
- 5 Voltage
120, 208, 240, 277, 480
MT - Multi-tap (120, 208, 240, 277)
- 6 Finish
BZ - Bronze
BK - Black
GN - Green
WT - White
(for any other color consult factory)
- 7 Options:
RE - Type V Glass Refractor and Clear Acrylic Lens
PC - Photo Cell Only
FS - Fuse
HS - House Shield

EXAMPLE SERIES MOUNTING WATTAGE LAMP TYPE VOLTAGE FINISH OPTION

RO - PT - 150 - S - 208 - GN - HS