

SPECIFICATIONS

CAT# PL-766-150HPS-RSS-11412-DBFBC

HOUSING:

Heavy wall corrosion resistant cast aluminum

POLE FITTER:

Heavy wall corrosion resistant cast aluminum

DOVE:

Spun aluminum or spun brass (specify)

VENT SECTION:

Heavy wall spun aluminum

DECORATIVE CHIMNEY:

Frosted glass with brass holder

REFLECTOR:

Specular segmented aluminum Type V or Type III distribution (Specify)

BALLAST:

High Power Factor-240 V factory prewired and tested

LAMP:

150W High pressure sodium

POLE:

4" diameter straight steel pole with anchor base

BASE COVER:

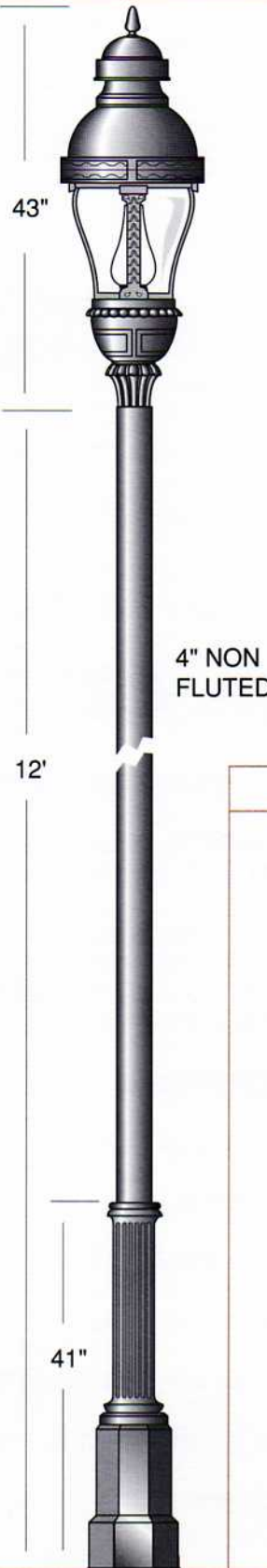
Heavy wall cast aluminum

ANCHOR BOLTS:

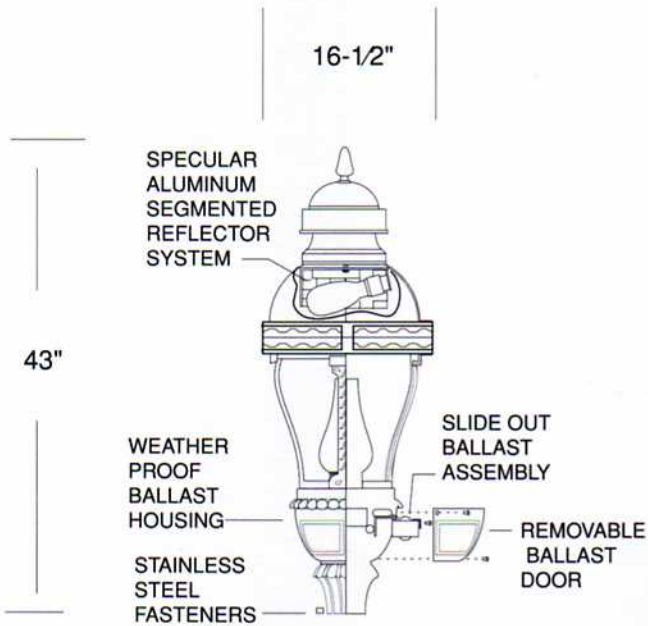
(4) 3/4" x 24" x 3" galvanized

FINISH:

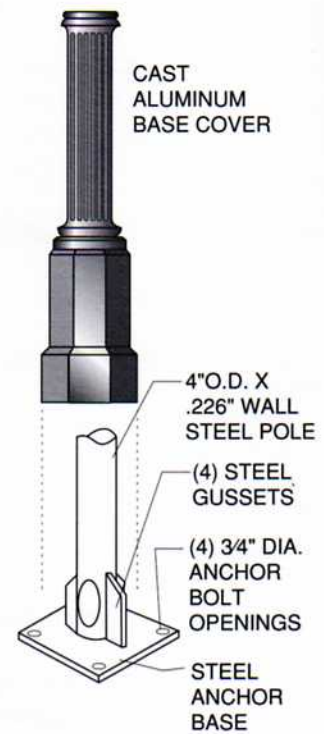
Black polyester powder fuse coating



LUMINAIRE DETAIL



BASE DETAIL



UL LISTED FOR WET LOCATION