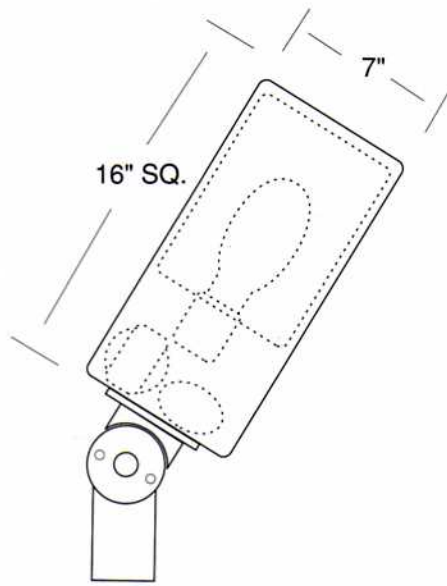
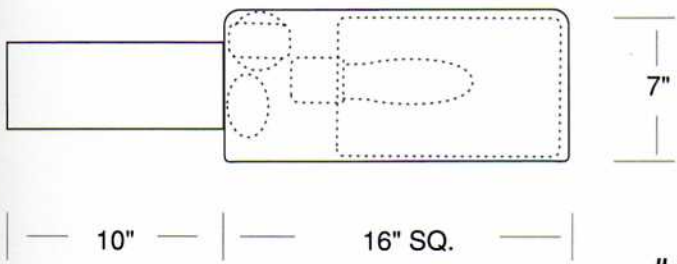


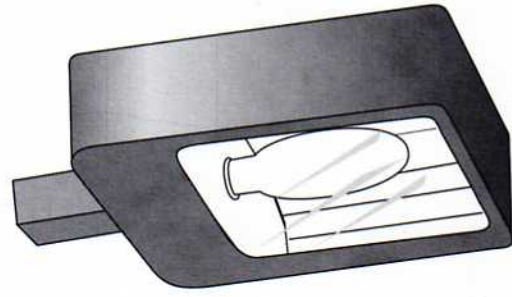
**# LAB
TWO PIECE BRACKET**



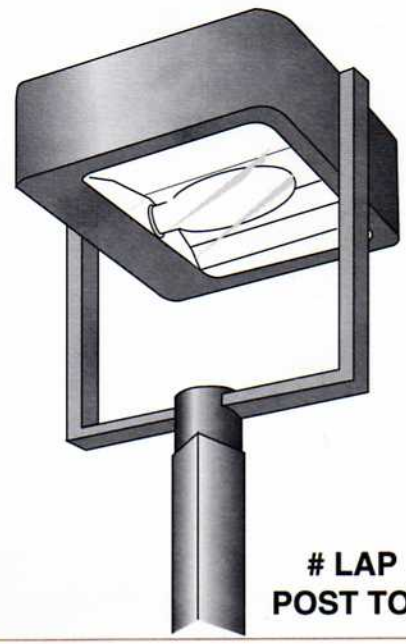
**# LAK
DIE CAST KNUCKLE**



**# LAA
FIXED ARM**



- SPECIFICATIONS**
- HOUSING: One piece die-cast aluminum
 - LENS: 3/16" Thick clear tempered glass
 - LENS FRAME: Hinged one piece die-cast aluminum (fully gasketed)
 - REFLECTOR: Specular aluminum type III distribution
 - BALLAST: H.P.F. multi-tap (120, 208, 240, 277 volts)
 - FINISH: Bronze polyester powder fuse coating
 - WATT: 70 through 400 W
 - LAMP TYPE: S - high pressure sodium / H - Metal Halide
 - OPTIONS: PC - Photocell Only / FS - Fuse / HS - House Shield / PS - Polycarbonate Shield



**# LAP
POST TOP**

UL LISTED FOR WET LOCATION

EXAMPLE	SERIES	WATTAGE	LAMP TYPE	VOLTAGE	DISTRIBUTION	FINISH	OPTION
	LAA	70	S	MT	III	BZ	