

SPECIFICATIONS

LIGHT DISTRIBUTION I, II, III, FT, V, AND VS

HOUSING _____

Heavy gauge spun aluminum. Closed cell neoprene foam gasket is applied between lens frame and housing.

LENS _____

.188 thick clear tempered glass, sealed into spun aluminum frame with silicone. Lens frame is hinged and secured with two stainless steel quarter turn fasteners.

REFLECTOR _____

Specular aluminum, available on type I, II, III, FT, V and VS light distribution.

BALLAST ASSEMBLY _____

Ballast is high power factor mounted on aluminum tray. The assembly is removable as unit for easy maintenance.

LAMP SOCKET _____

Spring loaded center contact.
Pulse rated for hps lamps.

ARM _____

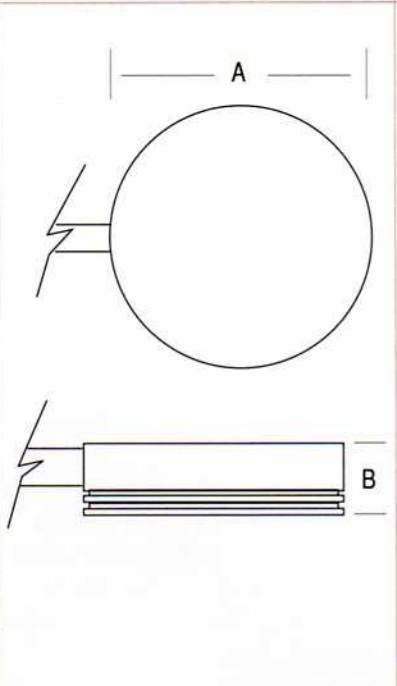
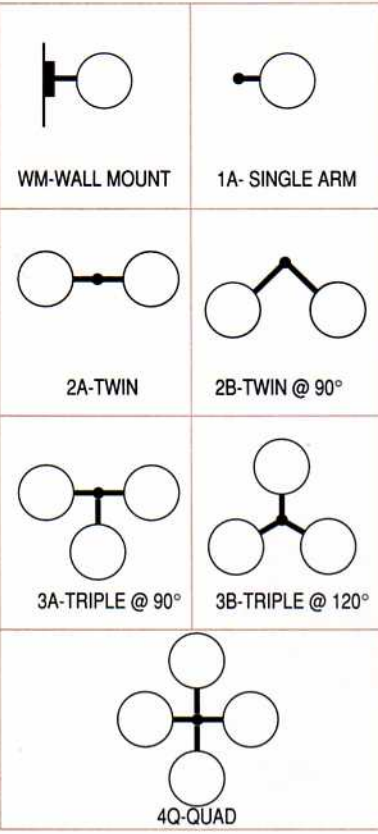
Mounting arm is supplied with two rods and nuts for easy assembly of luminaire to pole.

FINISH _____

Polyester powder fuse coating is standard, other finishes available, contact factory



UL LISTED FOR WET LOCATION



WATTAGE	A	B	EPA
100 THRU 400	20"	8"	.98

Lamps Type

S- High Pressure Sodium

Voltage

MT - Multi-tap (120, 208, 240, 277)

Light Distribution

I, II, III, FT, V and VS

Finish

BZ - Bronze

BK - Black

GN - Green

WT - White

(for any other color consult factory)

Options

RCP - Receptacle and Photo Control

RC - Photo Cell Receptacle only

PC - Photo Cell Only

FS - Fuse

HS - House Shield

PS - Polycarbonate Shield

EXAMPLE:

SERIES	MOUNTING	WATTAGE	LAMP TYPE	VOLTAGE	DISTRIBUTION	FINISH	OPTION
HPMOD-	1A-	400-	M-	240-	III-	BK-	